

isc N-Channel MOSFET Transistor

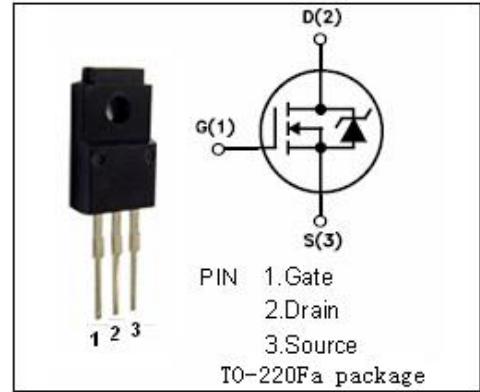
2SK759

DESCRIPTION

- Drain Current $-I_D=8A @ T_C=25^\circ C$
- Drain Source Voltage-
: $V_{DSS}= 250V(\text{Min})$
- Fast Switching Speed

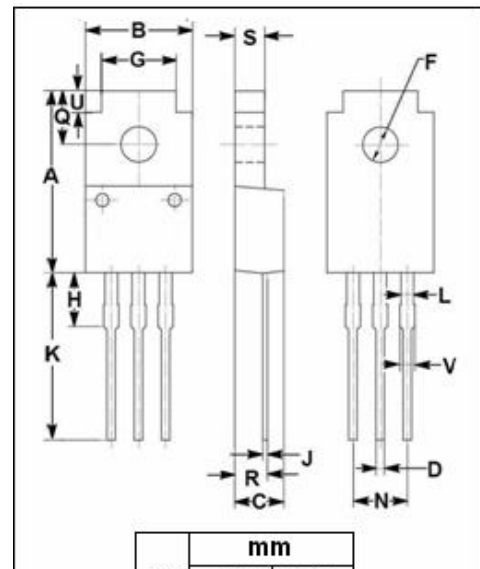
APPLICATIONS

- high speed power switching applications such as switching regulators, converters, solenoid and relay drivers.



ABSOLUTE MAXIMUM RATINGS($T_a=25^\circ C$)

SYMBOL	ARAMETER	VALUE	UNIT
V_{DSS}	Drain-Source Voltage ($V_{GS}=0$)	250	V
V_{GS}	Gate-Source Voltage	± 20	V
I_D	Drain Current-continuous@ $TC=25^\circ C$	8	A
P_{tot}	Total Dissipation@ $TC=25^\circ C$	50	W
T_j	Max. Operating Junction Temperature	150	$^\circ C$
T_{stg}	Storage Temperature Range	-55~150	$^\circ C$



DIM	mm	
	MIN	MAX
A	16.85	17.15
B	9.90	10.10
C	4.35	4.65
D	0.75	0.80
F	3.20	3.40
G	6.90	7.10
H	5.15	5.45
J	0.45	0.75
K	13.35	13.65
L	1.10	1.30
N	4.98	5.18
Q	4.85	5.15
R	2.95	3.25
S	2.70	2.90
U	1.75	2.05
V	1.30	1.50

THERMAL CHARACTERISTICS

SYMBOL	PARAMETER	MAX	UNIT
$R_{th j-c}$	Thermal Resistance,Junction to Case	1.0	$^\circ C/W$
$R_{th j-a}$	Thermal Resistance,Junction to Ambient	62.5	$^\circ C/W$

isc N-Channel Mosfet Transistor

2SK759

• ELECTRICAL CHARACTERISTICS (T_C=25°C)

SYMBOL	PARAMETER	CONDITIONS	MIN	TYP	MAX	UNIT
V _{(BR)DSS}	Drain-Source Breakdown Voltage	V _{GS} =0; I _D = 10mA	250			V
V _{GS(th)}	Gate Threshold Voltage	V _{DS} =10 V _{GS} ; I _D =1mA	1.0		5.0	V
R _{DS(on)}	Drain-Source On-stage Resistance	V _{GS} =10V; I _D = 5A		0.25	0.4	Ω
I _{GSS}	Gate Source Leakage Current	V _{GS} = ±20V; V _{DS} = 0			±1	uA
I _{DSS}	Zero Gate Voltage Drain Current	V _{DS} =200V; V _{GS} = 0			100	uA
ton	Turn-on time	V _{GS} =10V; I _D =5A;		55		ns
toff	Turn-off time	R _L =20 Ω		200		ns